



# Tecnalia Presentation



Patricio Aguirre  
[patricio.aguirre@tecnalia.com](mailto:patricio.aguirre@tecnalia.com)

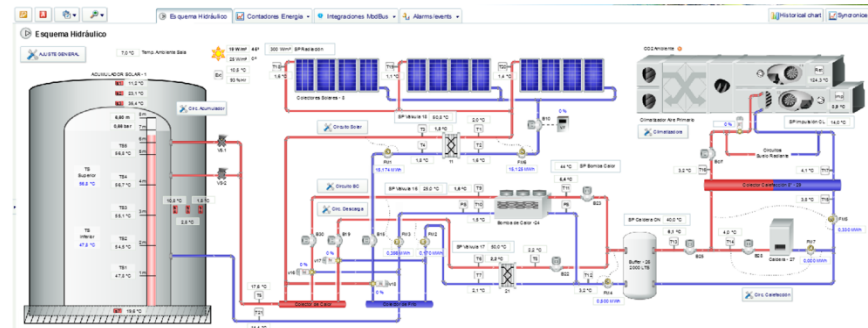
<b>Institution</b>	Fundación Tecnalia Research and Innovation
<b>Short name</b>	Tecnalia
<b>Name of representative</b>	Dr. Patricio Aguirre
<b>Contact details</b>	patricio.aguirre@tecnalia.com +34 667 116 193

## Mission Statement:

Tecnalia is actively working in many projects related with solar thermal energy and is interested in applying solar thermal collectors together with conventional heating systems for industrial purposes in order to reduce fossil fuel consumption and reduce CO<sub>2</sub> generation.

## SHIP Competences:

- Simulation in TRNSYS of solar collector installations.
- Design and development of innovative solar thermal collectors.
- Improvement of materials and coatings for solar thermal collectors.
- Laboratory and field testing of solar thermal collectors.
- Industrial use of solar thermal collectors and hybridation with conventional heating systems.
- Coupling with heat storage systems.
- Leading of european projects in solar thermal systems for building and industrial use.
- Experience in building heating with solar thermal systems.



Demonstration plant of seasonal solar thermal storage plant. Seasonal storage tank and layout of the installation. Bilbao, Spain

[Space for  
pictures and  
illustrations]

[Space for  
pictures and  
illustrations]

## SHIP Research Infrastructure:

- Laboratory for industrial thermal devices testing.
- Climatic chambers
- Complete laboratory for material testing: mechanical, structural, chemical.
- Field testing in high solar radiation locations.



## Participation in INSHIP:

**Work package involvement:**

WP2, WP3, WP5.

**Person months (national + EC):**

2-3

## **Objectives:**

Use of solar thermal collectors together with conventional heating systems for industrial purposes (hybridation) in order to reduce fossil fuel consumption and reduce CO<sub>2</sub> generation.