



IMDEA Energía Presentation



José González-Aguilar
jose.gonzalez@imdea.org

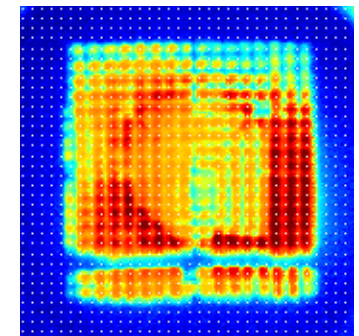
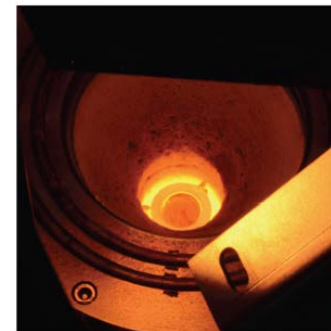
Institution	Fundación IMDEA Energía
Short name	IMDEA Energía
Name of representative	Dr. José González-Aguilar,
Contact details	jose.gonzalez@imdea.org +34 917 371 136

Mission Statement:

IMDEA Energía, through the High Temperature Processes Unit, focuses its research on solar thermal concentration systems and technologies, the sustainable production of fuels, and the development of energy storage systems coupled to renewable energy.

SHIP Competences:

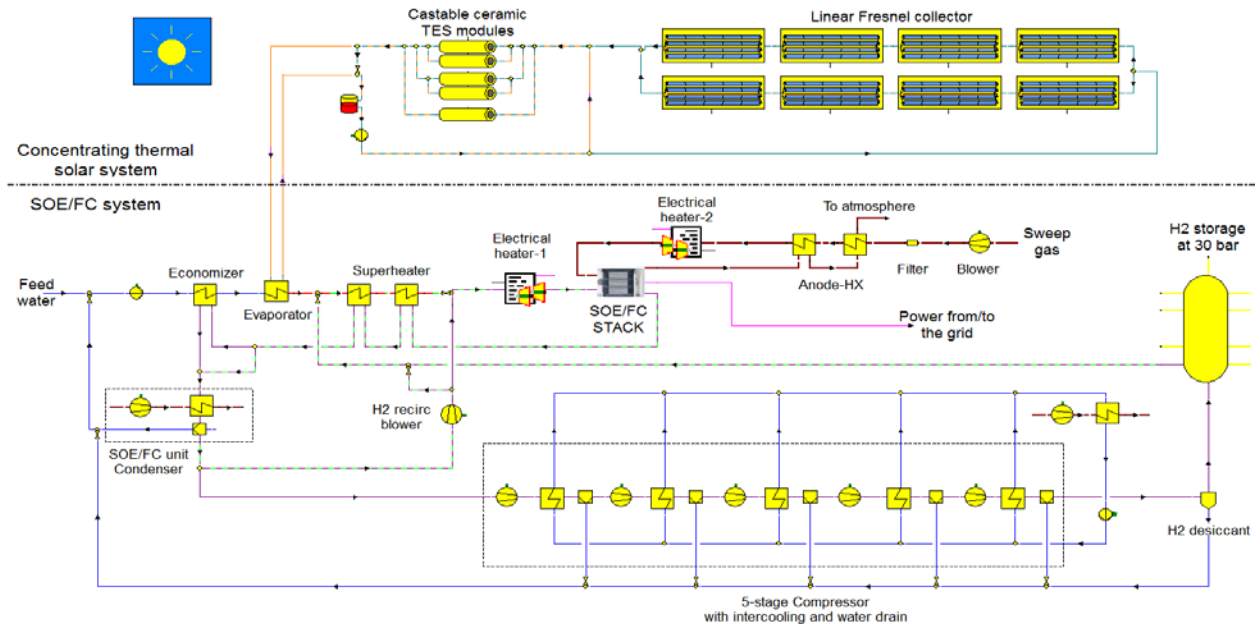
- Central receiver and fix-focus technologies, with emphasis in modular designs
- High-Temperature process heat technology, heat exchangers and applications
- Thermochemical heat storage
- Process flowsheeting and integration assessment of concentrated solar energy in industrial processes





SHIP Research Infrastructure:

- High Flux Solar Simulators
- 250kW solar tower facility
- Test beds for thermochemical storage applications
- Specific software tools and computing resources



Participation in INSHIP:

Work package involvement:

WP 6, WP 8

Person months (national + EC):

2

Objectives:

Additional Research Partner at INSHIP. Expected participation in WP6 (Integrated SHIP research infrastructures) and WP8 (Advanced Networking Activities).