



UNINA “Federico II” DII Presentation

Amedeo Amoresano

amedeo.amoresano@unina.it

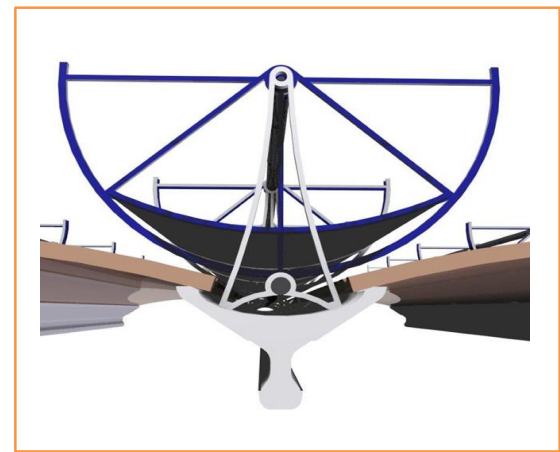
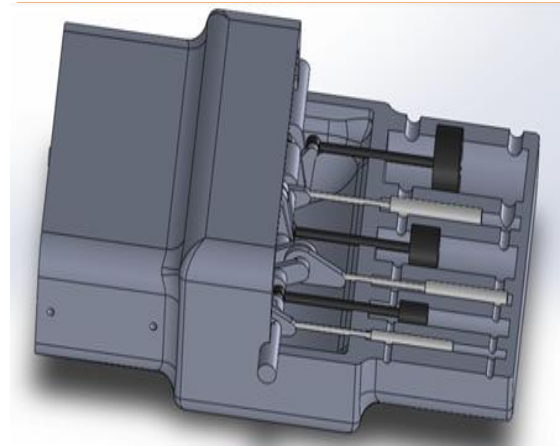
| | |
|-------------------------------|--|
| Institution | University of Naples Federico II |
| Short name | DII - Industrial Engineering |
| Name of representative | Amedeo Amoresano – Associate Professor |
| Contact details | amedeo.amoresano@unina.it +39 081-768- 3273 |

Mission Statement:

DII develops his studies in CSP-ORC field with particular attention to the optimization of the efficiency of thermodynamic cycles and to the engines design. Furthermore in the last ten years methodology to integrate CSP and other energy systems has been developed.

SHIP Competences:

- Heat Hexchanger Optimization
- Engines Design
- Integrated Energy Systems Optimization
- Thermal fluids analisys
- Studies and Training
- Industry concepts and planning advice





SHIP Research Infrastructure:

- Accredited Engines Test Lab
- Mechanical Laboratories
- CFD – FEM - Parallel Numerical Analysis





Participation in INSHIP:

Work package involvement:

WP 8

Person months (national + EC):

2

Objectives:

Objectives related to W8